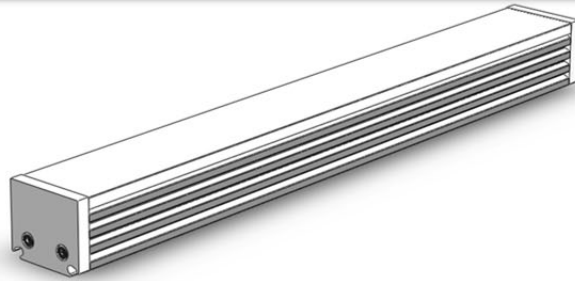




# M109 D LINEAR LED LIGHT

V.2.4.0  
03/10/15



## Benefits

- **Plug & Play Installation**
- Cable length from PS up to 200 feet.
- **No variance in color temperature or light output.**
- **California Title 24 listed**
- No UV radiation
- Made to exact & continuous length.
- High efficiency
- Usable for both mood and task lighting.
- No assembly required
- Small Foot-print

## Features

- Seamless and fully dimmable.
- Color temperature changing feature when dimming.
- Continuous fixture length up to 10 feet.
- Programmable color temperature (CCT) pre and post installation to match decor.
- Wide, Medium, and Narrow beam angle option.
- No LED hotspots



M109 D - S  
Actual Size



M109 D - T  
Actual Size

## SPECIFICATIONS

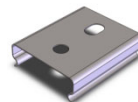
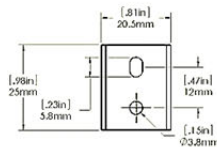
SPECIFICATIONS	M109 D
Housing	Clear Anodized Aluminum
Style	Straight or Tapered Profile
Dimensions	0.86" x 1.0" x [Custom]" [H x W x L]
Length	Up to 96" (continuous)
Weight	7.5 oz/ft
Environment	Indoor
Mounting	Spring Clip
Light cover	Frosted PMMA Diffuser
Input voltage	Low Voltage, 24 VDC
Power Supply	EST PCU M109 100W Class II <i>OR</i> Compatible PS (See details)
Cable on Light	CMR Rated, 20/4 gauge, EST Male Connector
Cable from PCU to Light	CMR Rated, 20/4 gauge, EST Female Connector
Wattage	6 - 10 W/ft
System Efficacy	54-64 Lm/W
LED	EST light engine
Color temperature (CCT)	2700 to 3500 K [Pre/Post Adjustable]
Color Rendering Index (CRI)	>85 typ
Lumen output	525+ Lm/ft
Beam angle	Wide / Medium / Narrow
Light beam	Soft Edged
Dimming	Seamless & Fully dimmable
Life Time	50,000 Hrs
Warranty	3 Years
Certifications	UL Listed, CA Title 24 Listed

## DIMENSIONS

M109 D - S (Straight Profile)		M109 D - T (Tapered Profile)	
No mounting Clip	Incl. Mounting Clip	No mounting Clip	Incl. Mounting Clip
*mm [Inches]			

## MOUNTING

Spring Clip mounted for easy installation.



## DIMMER COMPATIBILITY

Dimmer Type	Dimming level
Lutron Wall Dimmer DVELV	2-100%
Lutron Graphic Eye PHPM-PA	2-100%
Lutron Home Works HW-RPM-4A	2-100%

\* Do **NOT** use Lutron CFL/LED dimmer

## CONNECTOR

	On M109 (Female)	PCU to Light (Male)	Connected
Length	1.4"	1.5"	2.6" [66mm]
Diameter Ø	0.41"	0.42"	0.42" [11mm]

**EST** Energy Savings Technology, LLC

1630 Centre Pointe Dr. + 408 586 8696  
Milpitas, CA 95035 www.est-es2.com  
USA info@est-es2.com

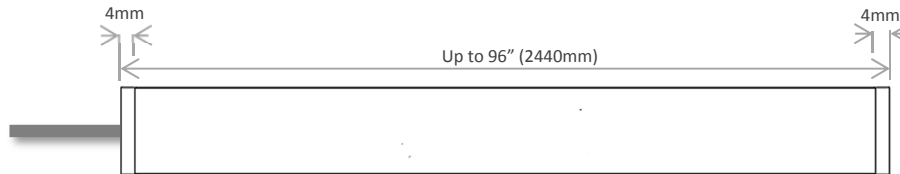
Spec sheets are subject to change without notice.  
© 2014 Energy Savings Technology



# M109 D LINEAR LED LIGHT

## M109 LENGTH INFO

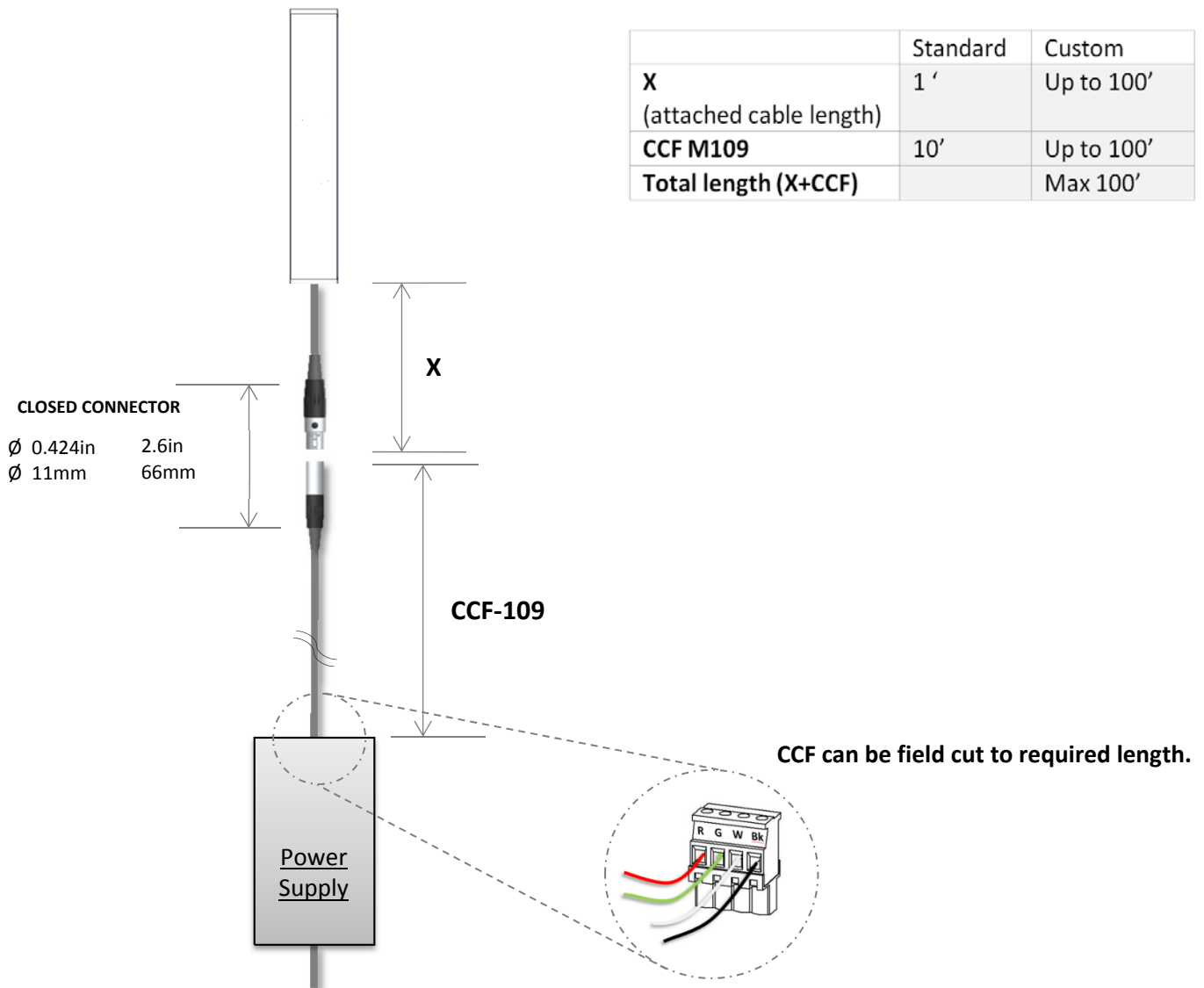
The length can be custom ordered up to a continuous 96 inches.



## CABLE CONFIGURATION / LENGH INFO

The M109 lamp comes standard with a connector length of 12 inches (1 foot) including a female connector for trouble-free linking between power source and lamp (Indicated by X in the figure below.). The lamp can be custom ordered with a connection length up to 100 feet including the connector. The CCF-109 cable comes standard as 120 inches (10-foot) but can be custom ordered to a length up to 100 feet. The CCF-109 comes with a male linkage to connect to the M109 lamp female connector and can be field cut to the required length. The total length of the cable between power supply and the lamp is advised to be under 100 feet. All cables are CMR rated.

	Standard	Custom
<b>X</b> (attached cable length)	1'	Up to 100'
<b>CCF M109</b>	10'	Up to 100'
<b>Total length (X+CCF)</b>		Max 100'



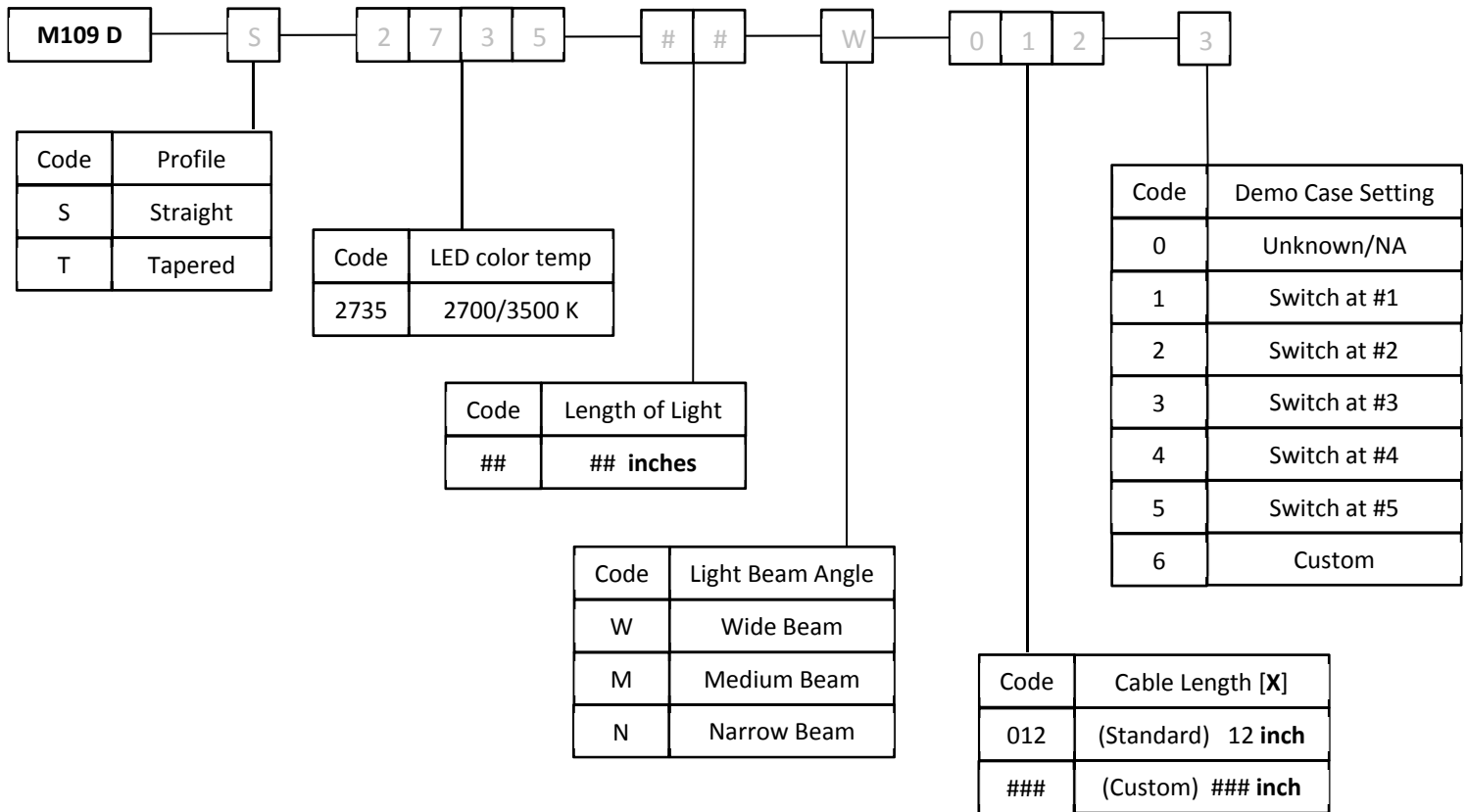


# M109 D LINEAR LED LIGHT

## Order Information

To order, simply select desired option from each category and place in the appropriate box. Available options are shown and described on the previous pages or in the part numbers catalog. For additional options not shown in the catalog, please contact us.

\* Information displayed in gray is standard configuration.



Example: **M109D-T-2735-44-W-012-4**

Product	M109
Style	Tapered
LED Color	2735 K
Length	44 inches
Light Beam	Wide
Cable length (X)	12 inches (1 feet) (On M109)
Demo case setting	Programmed to demo case switch position #4

**⚠ Order M109 CCF cable!**  
Cable from power supply to M109 lamp connector up to 100 feet: **CCF 109-15**  
\*Please specify length in feet.

Product	CCF 109 cable with connector
Cable Length (CCF)	15 feet

